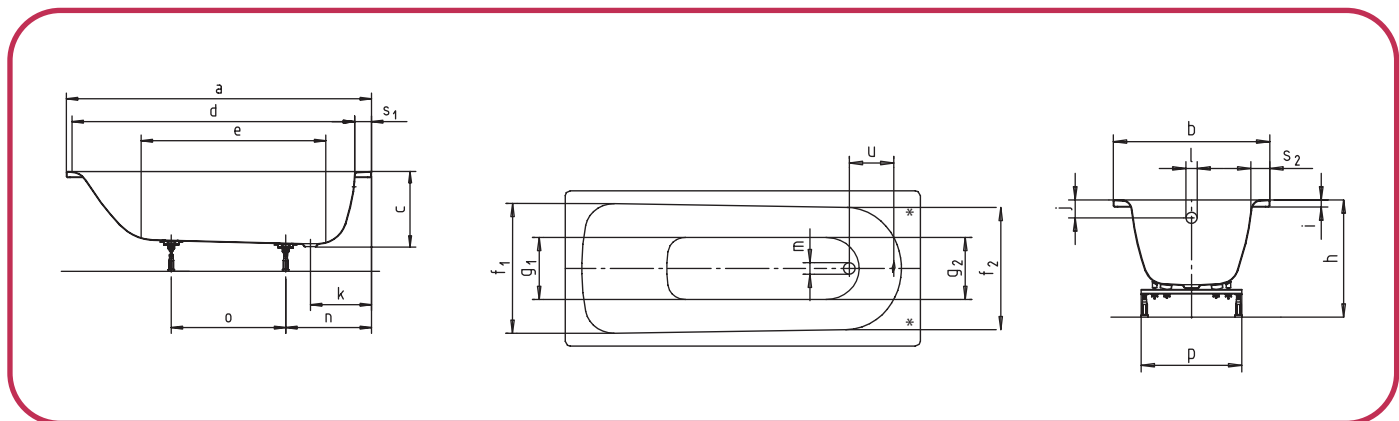




Eurowa bathtubs made of steel enamel

- single-seater bathtub available in 4 size options
- standard gauge steel
- classic rectangular design
- available in white
- burnt in anti-slip options
- bolt on leg set
- available with or without 2 tap holes
- can be supplied pre drilled for grips
- eco variant also available – model 313 (130 litres)

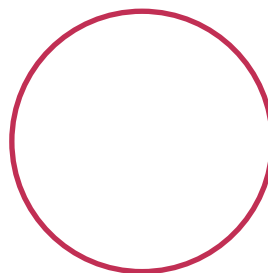
**UK
CA**



Model		309	310	311	312
		140/70	150/70	160/70	170/70
External length	a	1400 mm	1500 mm	1600 mm	1700 mm
External width	b	700 mm	700 mm	700 mm	700 mm
Depth	c	390 mm	390 mm	390 mm	390 mm
Internal length (top)	d	1230 mm	1330 mm	1430 mm	1530 mm
Internal length (bottom)	e	850 mm	950 mm	1050 mm	1150 mm
Internal width (top)	f1; f2	550; 530 mm	550; 530 mm	550; 530 mm	550; 530 mm
Internal width (bottom)	g1; g2	390; 350 mm	390; 350 mm	390; 350 mm	390; 350 mm
Height with feet	h	515-535 mm	515-535 mm	515-535 mm	515-535 mm
Height of rim	i	32 mm	32 mm	32 mm	32 mm
Distance top edge to centre of overflow hole	j	65 mm	72 mm	70 mm	63 mm
Distance tub edge (foot) to centre of drain hole	k	310 mm	320 mm	320 mm	310 mm
Diameter of overflow hole	l	52 mm	52 mm	52 mm	52 mm
Diameter of drain hole	m	52 mm	52 mm	52 mm	52 mm
Distance foot end of tub edge to centre of base	n	455 mm	445 mm	452,5 mm	450 mm
Distance between the feet	o	455 mm	555 mm	600 mm	740 mm
Max. width of feet	p	380 mm	380 mm	380 mm	380 mm
Width of rim (foot end; lengthwise)	s1; s2	85; 75 mm	85; 75 mm	85; 75 mm	85; 75 mm
Distance between centre holes	u	212 mm	222 mm	222 mm	212 mm
Water volume in litres		121	131	142	156
Anti-slip		ø 288 mm	ø 288 mm	ø 288 mm	ø 288 mm
Weight		20,5 kg	21,9 kg	23,6 kg	24,7 kg

Subject to technical alterations and tolerances

Eurowa products are made of steel enamel. The material has an extremely hard wearing surface which effectively resists scratches, abrasion and acid.



Colour: alpine white



5039 leg set

	Dimensions	Model	Plain Bath No Tap Holes	Plain Bath 2 Tap Holes	Bath with Anti-Slip No Tap Holes	Bath with Anti-Slip 2 Tap Holes
Eurowa	140 x 70 x 39 cm	309	1195 0001 0001	1195 2000 0001	1195 3000 0001	1195 2500 0001
(no grips)	150 x 70 x 39 cm	310	1196 0001 0001	1196 2000 0001	1196 3000 0001	1196 2500 0001
	160 x 70 x 39 cm	311	1197 0001 0001	1197 2000 0001	1197 3000 0001	1197 2500 0001
	170 x 70 x 39 cm	312	1198 0001 0001	1198 2000 0001	1198 3000 0001	1198 2500 0001
	170 x 70 x 39 cm ECO	313	1153 0001 0001	1153 2000 0001	1153 3000 0001	1153 2500 0001

	Dimensions	Model	Plain Bath No Tap Holes	Plain Bath 2 Tap Holes	Bath with Anti-Slip No Tap Holes	Bath with Anti-Slip 2 Tap Holes
Eurowa	140 x 70 x 39 cm	309	1195 2101 0001	1195 2001 0001	1195 2602 0001	1195 2700 0001
(drilled for	150 x 70 x 39 cm	310	1196 2101 0001	1196 2001 0001	1196 2602 0001	1196 2700 0001
grips)	160 x 70 x 39 cm	311	1197 2101 0001	1197 2001 0001	1197 2602 0001	1197 2700 0001
	170 x 70 x 39 cm	312	1198 2101 0001	1198 2001 0001	1198 2602 0001	1198 2700 0001
	170 x 70 x 39 cm ECO	313	1153 2101 0001	1153 2001 0001	1153 2602 0001	1153 2700 0001



Franz Kaldewei GmbH & Co. KG
Beckumer Str. 33-35
59229 Ahlen
Deutschland
Tel. +49 2382 785 0
Fax +49 2382 785 200
Internet: www.kaldewei.com

Kaldewei UK Ltd.
Kings Hall, St. Ives Business Park
Parsons Green
St. Ives
Cambridgeshire PE27 4WY
United Kingdom
Freephone 0800 840 9770
International +44 1480 498053
Fax +44 1480 493046
e-mail: sales-uk@kaldewei.com